

DOZER 3DMC² CONTROL



Easy to use, flexible 3D control

- Fine grade in highest gear
- Advanced user interface
- Multiple jobsite view
- mm level accuracy
- Inertial movement sensor

It's time.

Topcon's 3DMC² systems represent a giant leap in dozer automation. Completely user friendly, user definable and upgradeable, they're flexible to apply to even the most difficult jobs. Topcon protects your investment now and in the future. 3D control featuring inertial movement sensor, GPS and GLONASS, intuitive software and smooth, consistent hydraulic response – fully exchangeable to Topcon's 2D laser control or 3DMC LPS total station control. 3D GPS+ forms the ultimate platform for complete automatic dozer control.

The 3DMC² control system utilizes the new 3DMC² sensor and pairs this with advanced new controlling software to provide position updates up to 100 times per second. The MC² sensor combines a gyro, compass and inertial sensor to measure the X, Y & Z position as well as the roll, pitch, yaw and acceleration of the dozer.

With 3DMC² control, you'll eliminate over cutting and control material usage, saving you time and money. With this system the operator is really in control. Slope, elevation, speed and efficiency.

Same reference, same software

3DMC² gives you the flexibility to use multiple machines and survey crews with the same reference. On top of this, all construction machinery using Topcon's 3D systems are interfaced with the same software. Excavators, dozers, motor graders, pavers and even survey crews, all work with the same user-friendly software.

A combination of reliable, ruggedized components, unmatched innovation and performance.



Graphical display

- High resolution, touch screen
- Easy to view graphical information
- Smooth, consistent hydraulic response
- Internal memory



MC² sensor

- Waterproof
- Dustproof
- No manual adjustment
- State of the Art inertials
- 100 Hz system update rate



GPS+ receiver

- GPS + GLONASS
- Up to 20Hz
- Single or dual receiver
- Rugged housing
- Integrated radio and SIM slot
- Integrated valve drivers

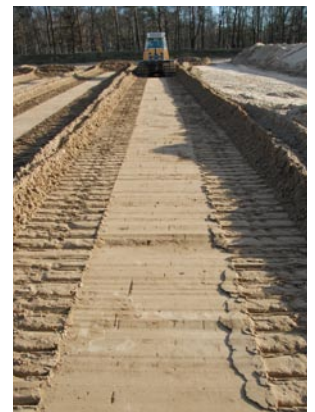


GPS antenna

- Single antenna
- Earth-moving designed
- GPS + GLONASS

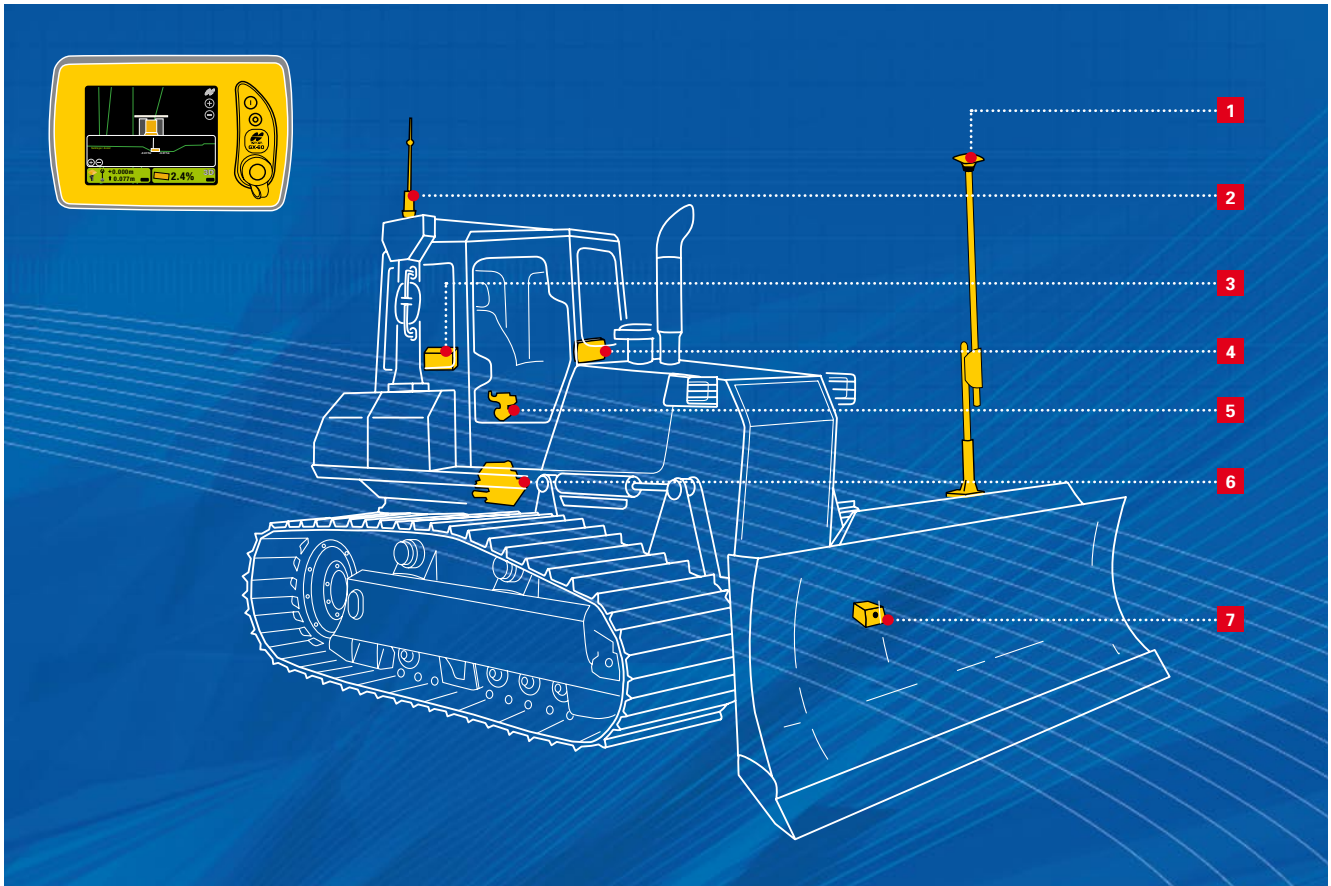
3DMC² control – the system that grows as you grow

3DMC² control ties in with Topcon's 2D laser control systems. All Topcon machine control solutions are back and forth upgradeable.



Topcon's 3DMC² dozer systems

Flexible, reliable, durable and easy to use. It's the most advanced automatic system, and everything you've come to expect from Topcon.



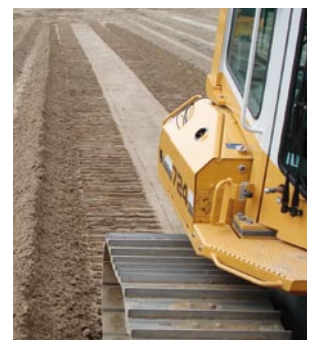
- | | | |
|------------------------|----------------------------|---------------------------------|
| 1 GPS+ antenna | 4 Graphical display | 7 MC ² sensor |
| 2 Radio antenna | 5 Automatic switch | |
| 3 GPS+ receiver | 6 Hydraulic valve | |



3DMC² – Twice as fast, twice as accurate

3DMC² will drastically change the role your dozer plays on a typical site, in some cases even eliminating the need for a grader. It will also allow you to make more efficient use of your dozer.

Along with speed increases, 3DMC² means fewer passes resulting in much more work done in less time. Less time equals less fuel and less machine wear.



It's time.

The Leader in Positioning Technology...

Topcon offers positioning products that deliver unparalleled site-wide performance and integration. Topcon's history of technological advances and our reputation for superior reliability means there's no other company positioned to provide you with a better "Total Positioning Solution."

From survey to inspection Topcon, through our dealer network, provides the innovative technology that gives surveyors, civil engineers, contractors, equipment owners and operators the competitive edge by addressing such critical issues as increasing profits, quality craftsmanship, improving productivity, lowering operating costs and enhancing job site safety.



Full positioning integration field-to-finish: That's the goal of Topcon. When it's time for you to step up to the next level, it's time to turn to Topcon.

The Leader in Customer Satisfaction...

To ensure that your Topcon instruments maintains peak performance, your local Topcon dealer offers factory trained and certified service technicians. If service isn't available in your area, our European Service Center offers a repair and return policy second to none.



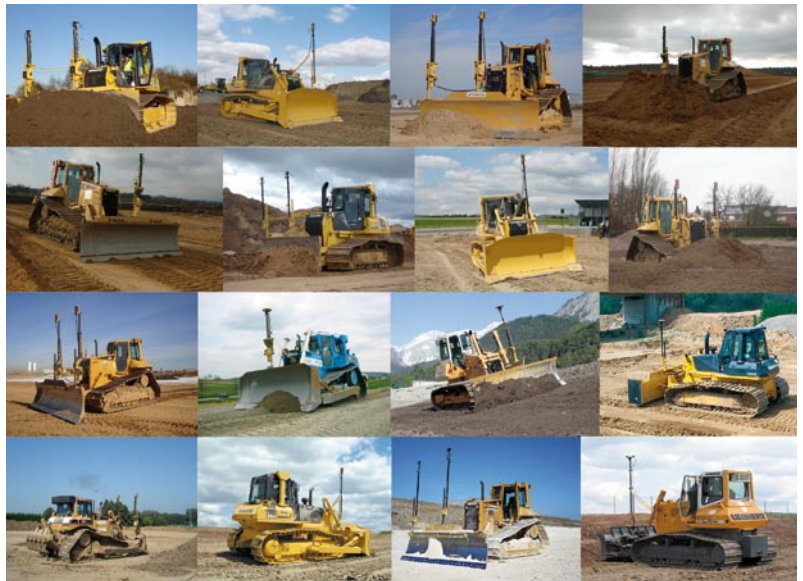
Specifications subject to change without notice.
©2010 Topcon Corporation. All rights reserved 07/2010

Upgrade to 3D mmGPS or LPS control

When needed, upgrade to the most advance 3DMC mmGPS or LPS dozer system.

Experience the benefits of Topcon's Laserzone with satellite positioning based mmGPS or standard robotic total station based LPS dozer grade control. 3DMC provides all the advantages of satellite positioning technology and standard survey possibilities and accuracies with the superior performance and usability of Topcon's standard machine control.

In addition to GPS+ control, mmGPS features up to 4 transmitter working range, 10 meter working window. As where LPS uses standard survey robotic total stations, so that either machine or surveyor can work with the same instrument.



TOPCON
www.topcon.eu

Your local authorised Topcon distributor is: