

MOTOR GRADER **SONIC CONTROL**



Easy to use, advanced grade control

- Smooth, consistent hydraulic response
- Most advanced graphical control box
- Reliable acoustic system
- 100% slope control
- Upgradable system

It's time.

Topcon's 2D motor grader sonic systems represent a giant leap in motor grader grade control. Completely user friendly, user definable and upgradeable, they're flexible enough to apply to even the most difficult jobs. System V sonic control featuring smooth, consistent hydraulic response – fully upgradeable to Topcon's 3DMC GPS+ motor grader control forms the platform for complete automatic motor grader control.

The sonic control system includes slope, rotation and mainfall sensors to measure the blade's slope and a sonic tracker attached to the blade. The sonic tracker itself will present the desired elevation to the operator via indicator lights or even send corrections directly to the machine's hydraulics.

With 2D motor grader sonic control, you'll eliminate over cutting and control material usage saving you time and money. With these systems the operator is really in control. Slope, elevation, speed and efficient.

Typical automatic motor grader control can be done in different ways, depending on the application. A string line set up is very common, allowing the machine to fine grade using the string line as a reference. Besides string lines, sidewalks and other references are often used to fix elevation with the sonic tracker.

A combination of reliable, ruggedized components, unmatched innovation and performance.

Topcon's 2D laser control set the standard for motor grader control for years! 2D gives you the flexibility to use reference to work from: existing surface, a previous cut, curbstone or a string line.



Control box

- Proportional valve control
- Graphical LCD display
- Smooth, consistent hydraulic response



Slope, Rotation and Mainfall sensor

- Waterproof
- Dustproof
- No manual adjustment
- Up to 100% slope



Sonic tracker

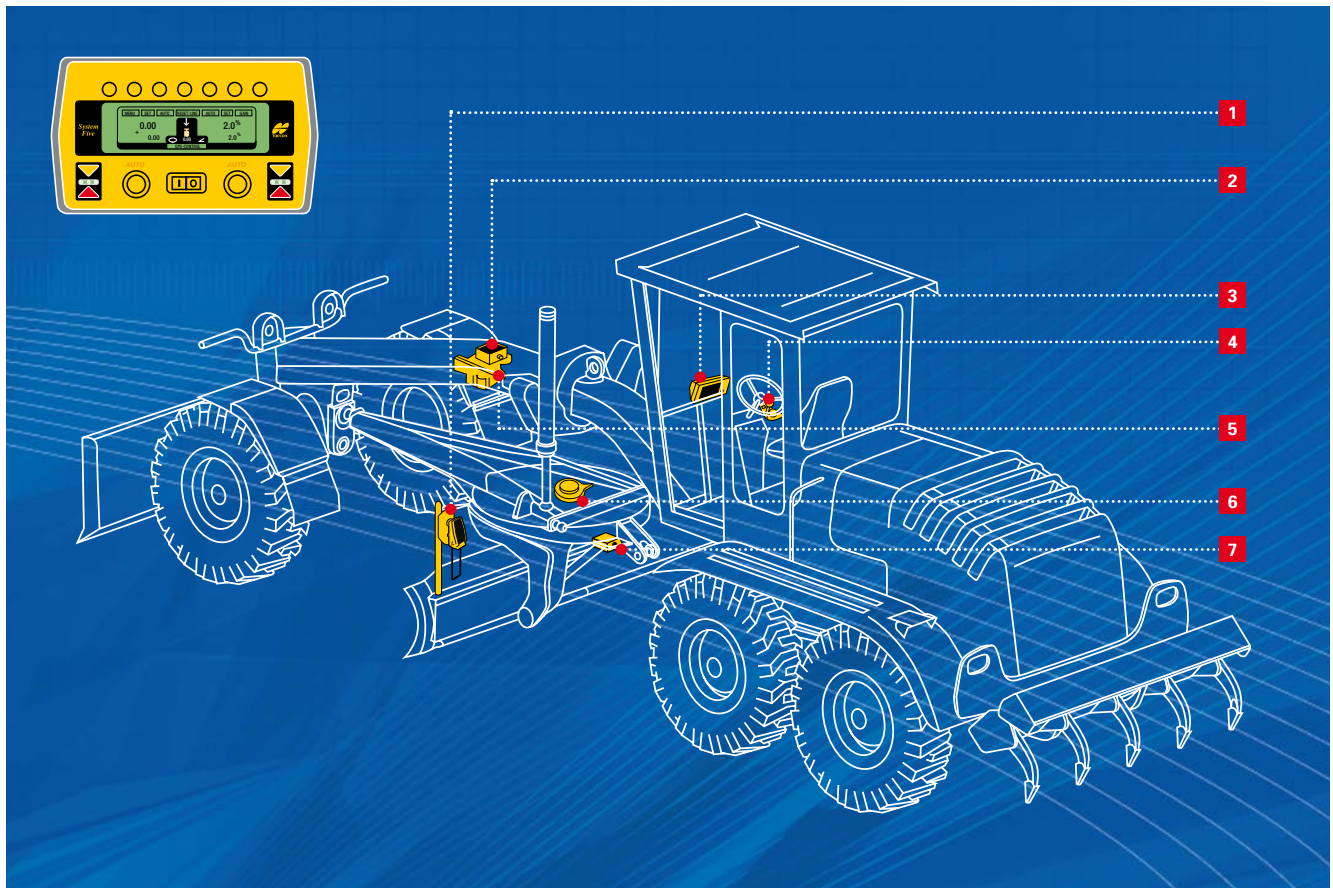
- Rugged design
- Indication LED
- High speed acoustics
- Track to zero
- Track to existing road
- Track to stringline

2D sonic control – the system that grows as you grow

The System V-2D sonic control platform offers a fully upgradeable solution to Topcon's industry leading 3DMC GPS+, mmGPS and LPS motor grader systems. With the addition of GPS+ and software you will realize the freedom and production that only the most advanced GNSS capabilities can bring as well as the usage of standard survey total stations.

Topcon's sonic grader systems

Flexible, reliable, durable and easy to use. It's the most advanced indicate system, and everything you've come to expect from Topcon.



- 1** Sonic tracker
- 2** Mainfall
- 3** 2D Control box
- 4** Automatic switch
- 5** Hydraulic valve
- 6** Rotation sensor
- 7** Slope sensor



Sonic tracker

Adding the Sonic tracker to your motor grader puts the power of sonic accurate grade at the operator's fingertips. Simply mount the sensor on the blade and follow a physical reference.

With the arrow indicators you will have an indicate system. When connecting this directly to

your control box and hydraulics you will use this information to automatically control the motor grader's blade. Imagine the speed this will give you to get to finished level!



It's time.

The Leader in Positioning Technology...

Topcon offers positioning products that deliver unparalleled site-wide performance and integration. Topcon's history of technological advances and our reputation for superior reliability means there's no other company positioned to provide you with a better "Total Positioning Solution."

From survey to inspection Topcon, through our dealer network, provides the innovative technology that gives surveyors, civil engineers, contractors, equipment owners and operators the competitive edge by addressing such critical issues as increasing profits, quality craftsmanship, improving productivity, lowering operating costs and enhancing job site safety.



Full positioning integration field-to-finish: That's the goal of Topcon. When it's time for you to step up to the next level, it's time to turn to Topcon.

The Leader in Customer Satisfaction...

To ensure that your Topcon instruments maintains peak performance, your local Topcon dealer offers factory trained and certified service technicians. If service isn't available in your area, our European Service Center offers a repair and return policy second to none.



Specifications subject to change without notice.
©2009 Topcon Corporation. All rights reserved 02/2009



Upgrade to 3D GPS+ or 3D LPS control

When you're ready, upgrade your sonic control to the most advance 3DMC motor grader system.

Experience the benefits of Topcon's satellite positioning based 3DMC GPS+ or standard robotic total station based 3DMC LPS motor grader grade control. 3DMC provides all the advantages of satellite positioning technology and standard survey possibilities with the superior performance and usability of Topcon's standard machine control.

In addition to sonic control, 3DMC features like complex designs, viewable blade position and increased safety, 3DMC enables the operator to "see" his machine's exact position within the site.



TOPCON
www.topcon.eu

Your local authorised Topcon distributor is: